

Photointerrupter, Small type



Absolute maximum ratings (Ta=25°C)

Parameter		Symbol	Limits	Unit
Input (LED)	Forward current	I _F	50	mA
	Reverse voltage	V _R	5	V
	Power dissipation	P _D	80	mW
Output (photo IC)	Power supply voltage	V _{CC}	7	V
	Output current	I _O	10	mA
	Power dissipation	P _D	80	mW
Operating temperature		T _{opr}	-20 to +60	°C
Storage temperature		T _{stg}	-40 to +100	°C

Applications

Optical control equipment

Features

- 1) Small slit width (0.3mm) for high precision.
- 2) Fast response.
- 3) Built-in visible light filter.

Electrical and optical characteristics (Ta=25°C)

Parameter		Symbol	Min.	Typ.	Max.	Unit	Conditions	
Input characteristics	Forward voltage	V _F	-	1.1	1.3	V	I _F =10mA	
	Reverse current	I _R	-	-	10	μA	V _R =5V	
Output characteristics	Power supply voltage	V _{CC}	2.0	-	7.0	V	-	
	Output low level voltage	V _{OL}	-	0.08	0.35	V	V _{CC} =3V, I _{OL} =2mA	
	Output high level voltage	V _{OH}	2.8	-	3.0	V	V _{CC} =3V, I _F =0mA	
	Low level power supply current	I _{CCL}	-	0.35	1.5	mA	V _{CC} =3V, I _F =5mA	
	High level power supply current	I _{CCH}	-	0.35	1.5	mA	V _{CC} =3V, I _F =0mA	
Transfer characteristics	High → Low Threshold input current	I _{FHL}	0.25	-	2.5	mA	V _{CC} =3V	
	Hysteresis	I _{FLH} / I _{FHL}	0.4	0.7	0.9	-	V _{CC} =3V	
	Response time	Low → High Propagation delay time	t _{PLH}	-	22	66	μs	V _{CC} =3V, I _F =5mA, R _L =100Ω
		High → Low Propagation delay time	t _{PHL}	-	5.5	16		
		Rise time	t _r	-	5	15		
Fall time		t _f	-	0.05	0.15			
Infrared light emitter diode	Cut-off frequency	f _c	-	1	-	MHz	I _F =50mA * Non-coherent Infrared light emitting diode used.	
	Peak light emitting wavelength	λ _P	-	950	-	nm		
Photo IC	Response time	t _r	-	5	15	μs	V _{CC} =3V, I _F =5mA, R _L =100Ω * This product is not designed to be protected against electromagnetic wave.	
		t _f	-	0.05	0.15			

Electrical and optical characteristics curves

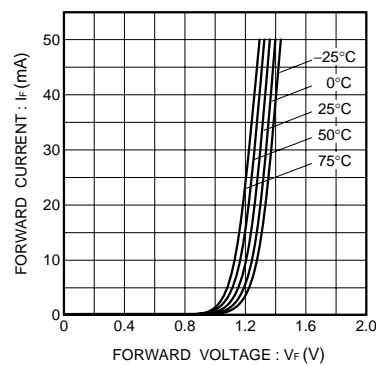


Fig.1 Forward current vs. forward voltage

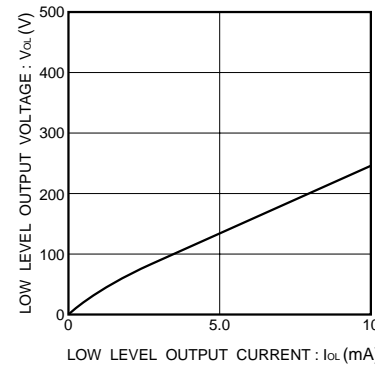


Fig.2 Low level output voltage vs. low level output current

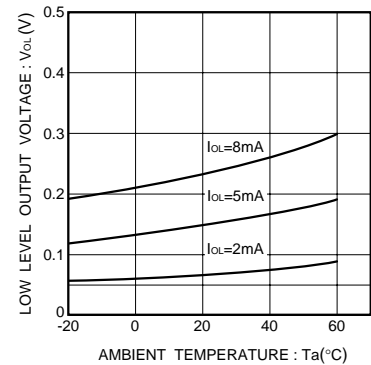


Fig.3 Low level output voltage vs. ambient temperature

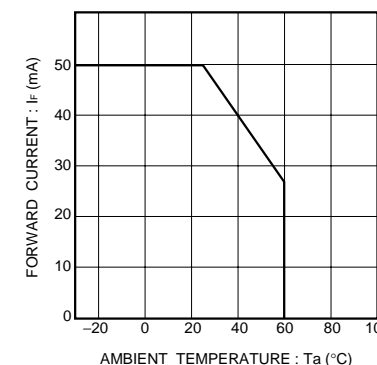


Fig.7 Forward current falloff

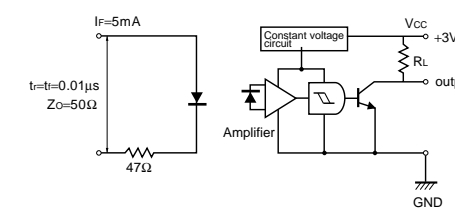
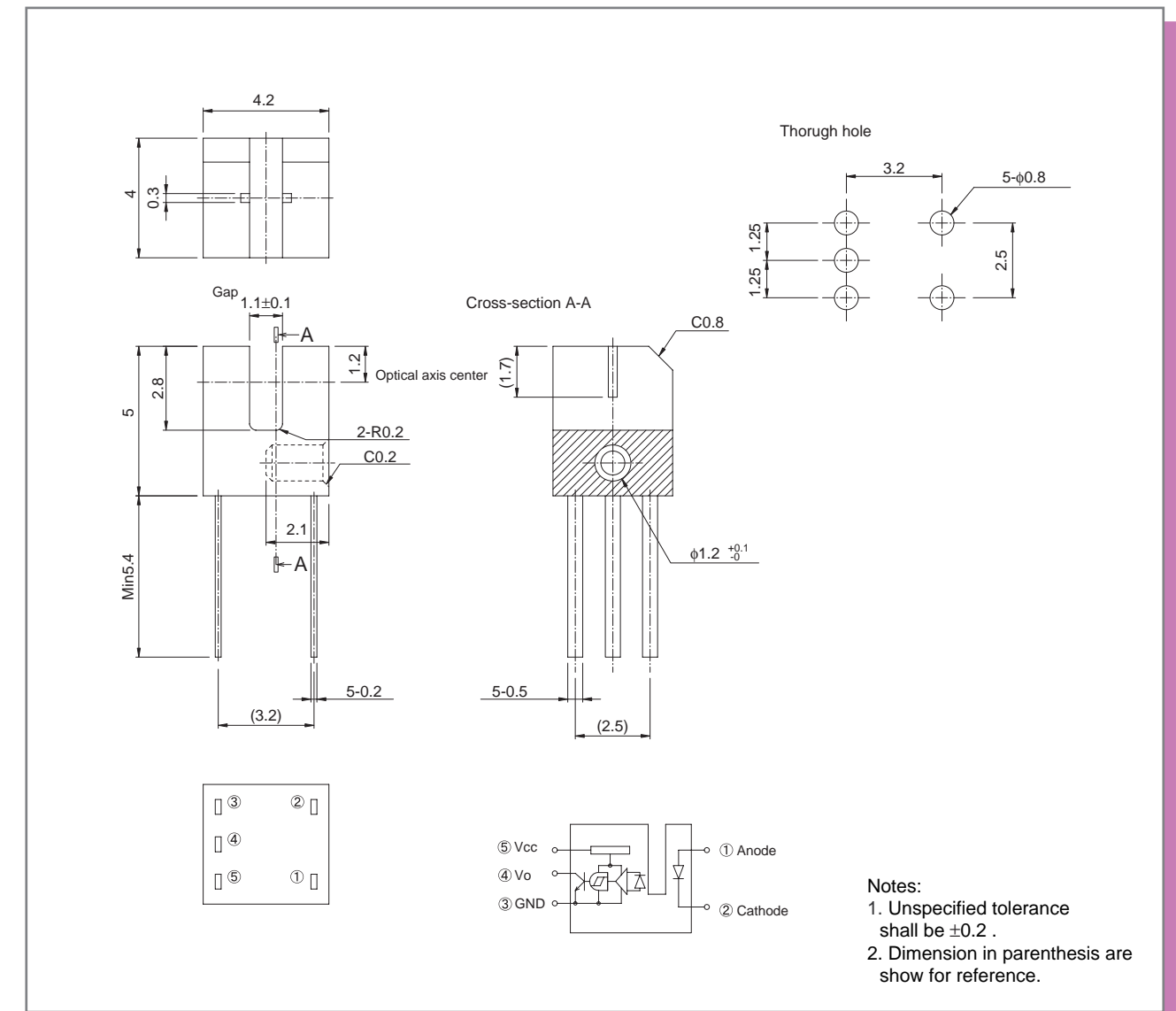


Fig.8 Response time measurement circuit

External dimensions (Unit : mm)



- Notes:
1. Unspecified tolerance shall be ±0.2.
 2. Dimension in parenthesis show for reference.

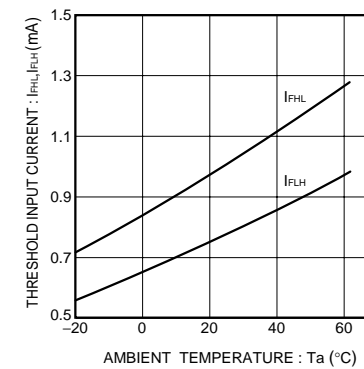


Fig.4 Threshold input current vs. ambient temperature

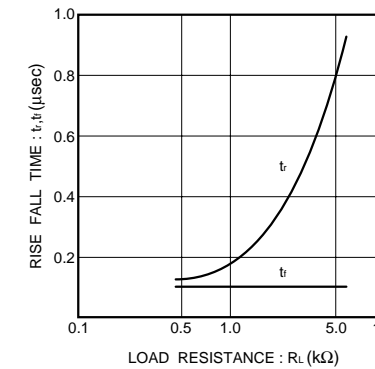


Fig.5 Response time vs. load resistance

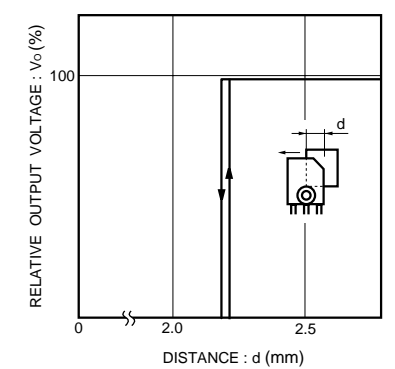


Fig.6 Relative output voltage vs. distance characteristics

Notes

- No technical content pages of this document may be reproduced in any form or transmitted by any means without prior permission of ROHM CO.,LTD.
- The contents described herein are subject to change without notice. The specifications for the product described in this document are for reference only. Upon actual use, therefore, please request that specifications to be separately delivered.
- Application circuit diagrams and circuit constants contained herein are shown as examples of standard use and operation. Please pay careful attention to the peripheral conditions when designing circuits and deciding upon circuit constants in the set.
- Any data, including, but not limited to application circuit diagrams information, described herein are intended only as illustrations of such devices and not as the specifications for such devices. ROHM CO.,LTD. disclaims any warranty that any use of such devices shall be free from infringement of any third party's intellectual property rights or other proprietary rights, and further, assumes no liability of whatsoever nature in the event of any such infringement, or arising from or connected with or related to the use of such devices.
- Upon the sale of any such devices, other than for buyer's right to use such devices itself, resell or otherwise dispose of the same, no express or implied right or license to practice or commercially exploit any intellectual property rights or other proprietary rights owned or controlled by
- ROHM CO., LTD. is granted to any such buyer.
- Products listed in this document are no antiradiation design.

The products listed in this document are designed to be used with ordinary electronic equipment or devices (such as audio visual equipment, office-automation equipment, communications devices, electrical appliances and electronic toys).

Should you intend to use these products with equipment or devices which require an extremely high level of reliability and the malfunction of which would directly endanger human life (such as medical instruments, transportation equipment, aerospace machinery, nuclear-reactor controllers, fuel controllers and other safety devices), please be sure to consult with our sales representative in advance.

About Export Control Order in Japan

Products described herein are the objects of controlled goods in Annex 1 (Item 16) of Export Trade Control Order in Japan.

In case of export from Japan, please confirm if it applies to "objective" criteria or an "informed" (by MITI clause) on the basis of "catch all controls for Non-Proliferation of Weapons of Mass Destruction.